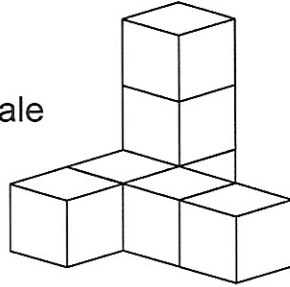




Volume

1. What is the volume of the shape shown below? 1 cube = 1 cm³.

Not drawn to scale

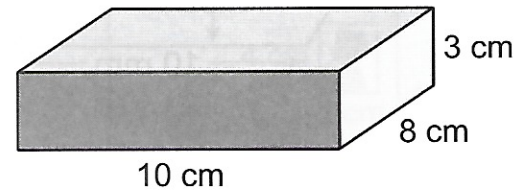


.....
cm³

2. John has made the wooden block shown on the right.

What is the volume of the block?

Show your working.



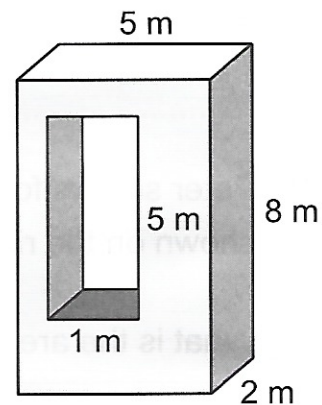
Not drawn to scale

.....
cm³

3. The giant metal sculpture shown on the right is in the shape of a cuboid, with a cuboid-shaped hole going all the way through it.

What is the volume of the sculpture? Show your working.

.....
m³



Not drawn to scale

The volume of a Trimeasuretop is tricky to work out. Luckily, this page is easier. What do you think?

